

TRU-RAIL™ Hand Rail

Description

TRU-RAIL™ Hand Rail

Webpage

<http://www.tru-bilt.co.nz/tru-gard/#tru-rail-hrs>

Product Information

The **TRU-RAIL™** Hand Rail System is a multi-purpose, heavy-duty safety system for separating foot and vehicle traffic. Designed to mount on top of the **TRU-GARD™** barrier system, **TRU-RAIL™** Hand Rails can also be installed independently, preventing personnel from injury by vehicles and reducing costly downtime. The modular steel units are extremely strong, hard-wearing and can be configured to suit almost any conditions.

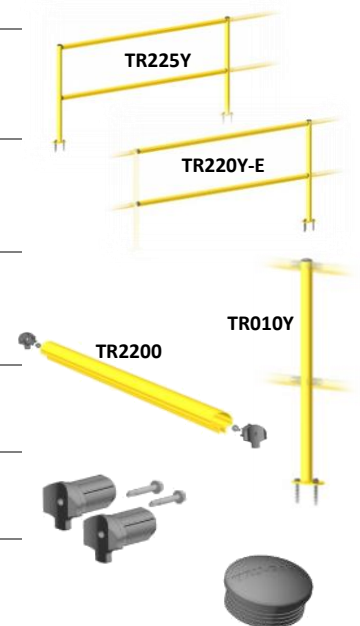


Technical Specification

- ✓ 1000mmH x 2250mmL frame with 2200mm extension available.
- ✓ Safety Yellow over Galvanised Alloy finish.
- ✓ Compliant with AS/NZS 1657 - 1992
- ✓ Multiple configurations available to suit any application.
- ✓ Compatible with the TRU-GARD™ Certified Barrier system.

TRU-RAIL™ Components

TR225Y	TRU-RAIL™ Personnel Frame - 1000mmH x 2250mmL - Safety Yellow finish, internal use only, Includes 6 x Screw Anchors Also available: TR225GY (Safety Yellow over Galv/Alloy finish)
TR220Y-E	TRU-RAIL™ Personnel Frame Extension - Adds 2200mm to the TR225 Frame - Safety Yellow finish, internal use only, Includes 3 x Screw Anchors Also available: TR220GY-E (Safety Yellow over Galv/Alloy finish)
TR010Y	TRU-RAIL™ Standard Post, 1000mm high - To mount rail at 1000mm from floor - Safety Yellow finish, internal use only, Includes 3 x Screw Anchors Also available: TR010GY (Safety Yellow over Galv finish)
TR2200	TRU-RAIL™ Handrail, 2140mm long - Suits posts spaced at 2200mm centres - Safety Yellow over Alloy finish, TR001 Socket and Screw set included
TR001	TRU-RAIL™ Socket & Screw Set - To fit TR2200 to 48mm post - Black plastic finish, Two Sockets and two screws included
TR002	TRU-GARD™ Round Cap - To fit 48mm post, Black plastic finish



Continued over page...

Need more information? Contact us today – NZ 0800-144-999, AU 1800-144-888 or visit www.tru-bilt.co.nz

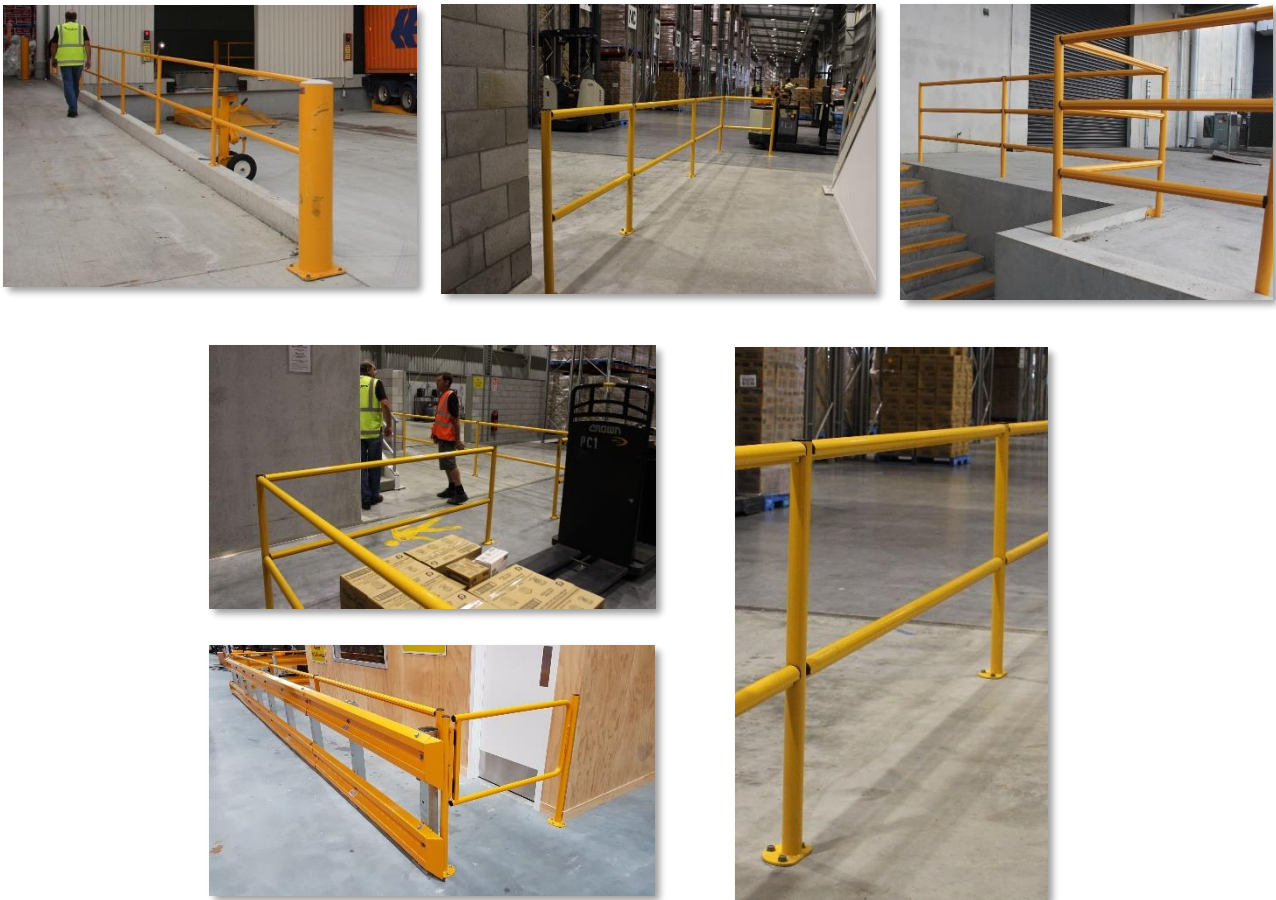


TRU-RAIL™ Components *continued...*

TR610	TRU-RAIL™ to BS610 Bracket - To mount rail at 1000mm high off a BS610 post, Safety Yellow over Galv Finish
TR610-E	TRU-RAIL™ to BS610-E Bracket - To mount rail at 1000mm high off a BS610-E post, Safety Yellow over Galv Finish
TR910	TRU-RAIL™ to BS910 Bracket - To mount rail at 1000mm high off a BS910 post, Safety Yellow over Galv Finish
TR910-E	TRU-RAIL™ to BS910-E Bracket - To mount rail at 1000mm high off a BS910-E post, Safety Yellow over Galv Finish
TRG1100Y	Personnel Gate - 1010mmW x 560mmH with auto close hinges - Safety Yellow, internal use only, mounts to two TR010Y posts (not included) at 1100mm centers Also available: TRG1100G (Galvanised), TRG1100GY (Safety Yellow over Galv)



TRU-RAIL™ Hand Rail Projects by TRU-BILT Industries Ltd



Need more information? Contact us today – NZ 0800-144-999, AU 1800-144-888 or visit www.tru-bilt.co.nz

