

TRU-LEVEL Dock Frames

Description

TRU-LEVEL™ Dock Frames

Webpage

<http://www.tru-bilt.co.nz/products/tru-dock/#dock-frames>

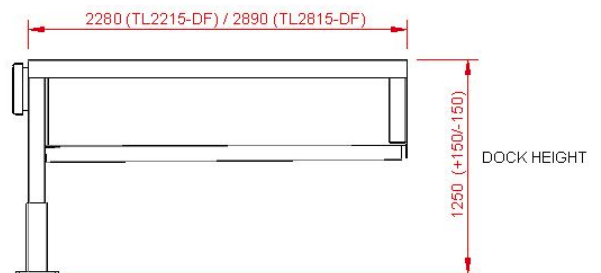
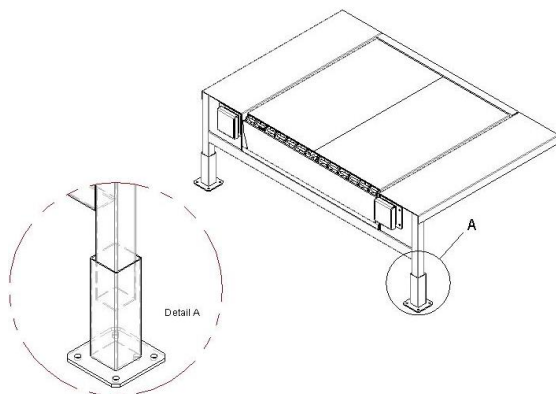
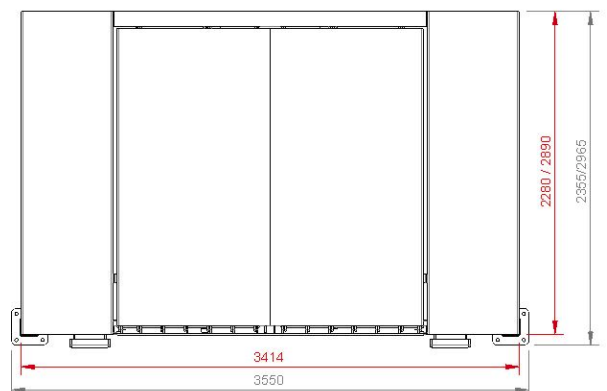
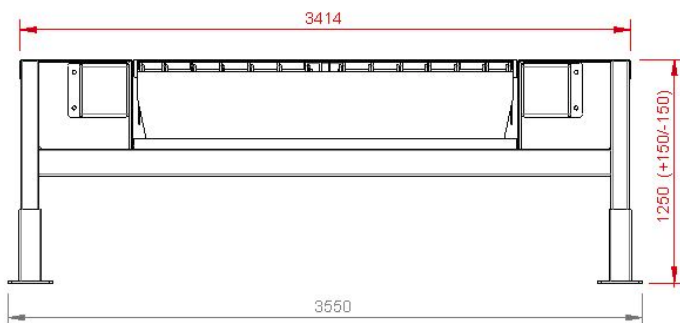
Product Information

TRU-LEVEL™ Dock Frames are the perfect solution for upgrading existing dock areas, providing ultra-strong and durable support for dock levellers and loading pods. TRU-LEVEL™ Dock Frames create an ideal platform for loading goods above ground level, providing a safe and efficient working environment, and their extra add-on capacity means they can be your first step toward an automated, insulated and fully sealed loadout area.

Technical Specification

Two Dock Frame sizes available: TL2215-DF and TL2815-DF

- ✓ TL2215-DF overall size: 2280mmL x 3400mmW
- ✓ TL2815-DF overall size: 2890mm x 3400mmW
- ✓ Dock height: 1000mm - 1500mm
- ✓ 11000kg rated
- ✓ Galvanised finish
- ✓ Anti-slip tread plate
- ✓ Adjustable front supports
- ✓ Bolt and weld assembly on site
- ✓ Optional hand rails for open dock safety
- ✓ Capacity to build an insulated pod on top



Need more information? Contact us today – NZ 0800-144-999, AU 1800-144-888 or visit www.tru-bilt.co.nz

