

TRU-LIFT

SECTIONAL DOOR HARDWARE

ENQUIRY FORM

Download form to PC before editing

Site Details

Company Name:	Date:
Delivery Address:	
Site Reference	Site Photos Provided: Yes No
Contact Name:	Phone:
Email:	

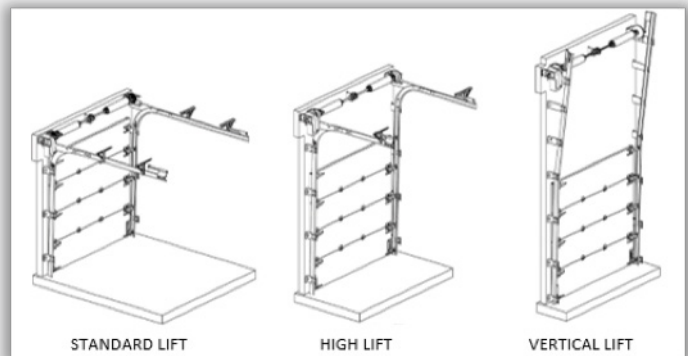
Site Information

1) **This enquiry relates to:**

- A new building structure An existing door system

2) **Door Track Configuration:**

- Standard Lift
 High Lift
 Vertical Lift
 Other:



3) **Operating Environment:**

Ambient Temperature Range: °C
Wind/Weather exposure:

4) **I would like a site visit/advice/quote on the following TRU-LIFT items:**

- | | | |
|---|--|---------------------------------------|
| <input type="checkbox"/> Cable Drums | <input type="checkbox"/> Torsion Springs | <input type="checkbox"/> Door Seals |
| <input type="checkbox"/> Track and Brackets | <input type="checkbox"/> Spring Fillers | <input type="checkbox"/> Door Bumpers |
| <input type="checkbox"/> Cable Sets | <input type="checkbox"/> Spring Anchors | <input type="checkbox"/> Door Catches |

Other TRU-LIFT Sectional Door Hardware:

Continued over page...

