

TRU-LIFT

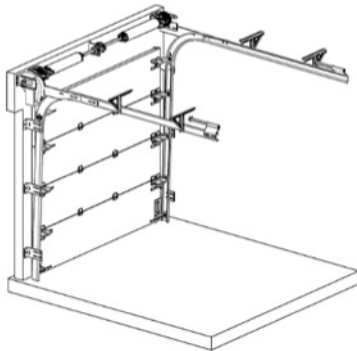
SECTIONAL DOOR SPRING

ENQUIRY FORM

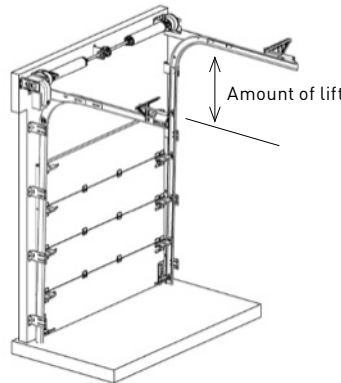
Download form to PC before editing

Site Details

Company Name:		Date:
Delivery Address:		
Customer Reference/Order Number:		
Contact Name:	Phone:	
Site Photos Provided: Yes <input type="checkbox"/> No <input type="checkbox"/>	Completed By:	



STANDARD LIFT



HIGH LIFT



VERTICAL LIFT

Door Information (See TRU-LIFT Sectional Door Hardware Data Sheet for full product details)

Door Opening Height (mm):	
Door Opening Width (mm):	
Door Panel Weight (kg):	
Cable Drum Code Number:	
Type of Lift: <input type="checkbox"/> Standard lift <input type="checkbox"/> High lift <input type="checkbox"/> Vertical lift <input type="checkbox"/> Follow the Roof (drawing required)	
Amount of Lift (mm):	(only if high lift)
Floor to Shaft Centre (mm):	(only if wire rope length required)
Quantity of doors at this size and specification:	

Continued over page...

