

TRU-ROLL™ Roller Shutter Door

Description

TRU-ROLL™ Roller Shutter Door

Webpage

<http://www.tru-bilt.co.nz/tru-door/#tru-roll>

Product Information

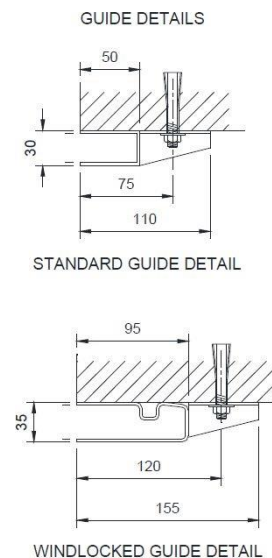
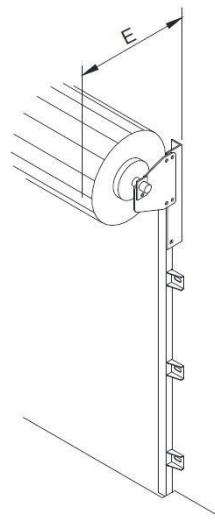
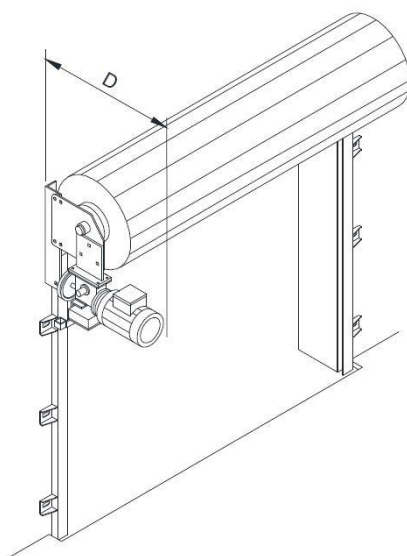
TRU-ROLL™ Roller Shutter Doors are an economical solution for industrial buildings and farm sheds with door openings. With galvanised guide rails and a heavy duty aluminium rail and weather seal system, TRU-ROLL™ Roller Shutter Doors are designed to withstand the harsh elements of industrial and rural areas. Operation of TRU-ROLL™ Roller Shutter Doors can be operated with the standard manual hand chain system or automated with the commercial door motors. The standard 50mm galvanised guide rails can be upgraded to the wind lock guides for TRU-ROLL™ Doors located in high wind zones. A large range of colours are also available to blend in with your existing environment or building decor. Other accessories can be added including, radio remotes, wireless wall buttons and battery backup.



Technical Specification

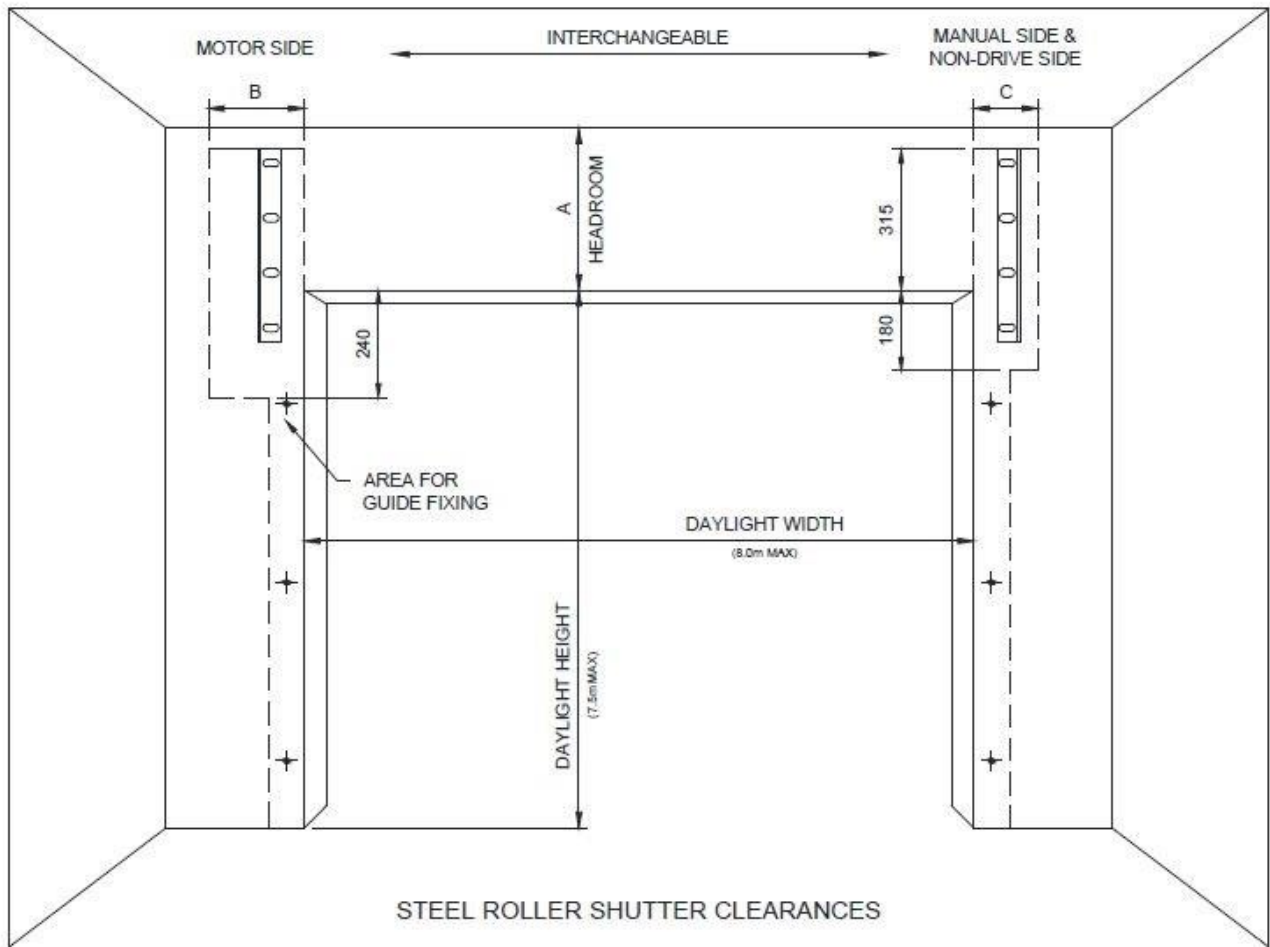
- ✓ Max Size: 7500mmH x 7250mmW (43.5m² max)
- ✓ Continuous roll formed galvanised steel interlocking slates.
- ✓ Aluminium bottom rail with weather seal.
- ✓ Powder coated finish - optional.
- ✓ 50mm Roll formed guides with bell mouth to accept curtain.
- ✓ 95mm wide Wind locked guides for windy applications – optional.
- ✓ Shutter barrels are fabricated from galvanised steel tube.
- ✓ Diameter of 165mm with Helically wound counterbalance springs.
- ✓ Electrical Operation via 3ph Motor/Controls
- ✓ Speed is 185mm per second on doors up to 6.0m wide

Clearance Details



Need more information? Contact us today – NZ 0800-144-999, AU 1800-144-888 or visit www.tru-bilt.co.nz





HEIGHT OF OPENING	HEADROOM ₁	SIDEROOM ₂				INSIDE PROJECTION MOTOR ₃	INSIDE PROJECTION BARREL	INSIDE PROJECTION MANUAL HANDCHAIN
		STANDARD GUIDES		WINDLOCK GUIDES				
		Motor	Non-Drive & Manual	Motor	Non-Drive & Manual			
(m)	A	B	C	B	C	D	E	E
0 - 4.0	450	215	145	260	190	550	400	430
4.0 - 4.5	450	215	145	260	190	580	430	N/A
4.5 - 5.0	465	215	145	260	190	580	435	N/A
5.0 - 6.0	475	215	145	260	190	580	445	N/A
6.0 - 7.5	600	310	180	350	310	650	495	N/A

Note 1: Extra headroom required for mullion doors
 Note 2: Doors over 45m² require greater sideroom
 Note 3: Additional projection may be required with non standard motorising
 For max sizes refer to the Steel Roller Shutter Selection Chart



Need more information? Contact us today – NZ 0800-144-999, AU 1800-144-888 or visit www.tru-bilt.co.nz

