

TRU-SWING™ Flexi Door

Description

TRU-SWING™ Flexi Door

Webpage

<http://www.tru-bilt.co.nz/tru-door/#tru-swing-flexi>

Product Information

TRU-SWING™ Flexi Door is a Heavy Duty Solution for Environmental Control in demanding situations. This door can be used in a wide range of applications, such as the food industry, warehouses, and workshops. The doors open from either direction in a 180-degree area and automatically return to the closed position with the concealed spring. TRU-SWING™ Flexi Door will help you provide a better working environment providing control of temperature, dust, noise, and wind. The operation is very quiet making the doors excellent for supermarkets, kitchens, process rooms and hospitals.

Technical Specification

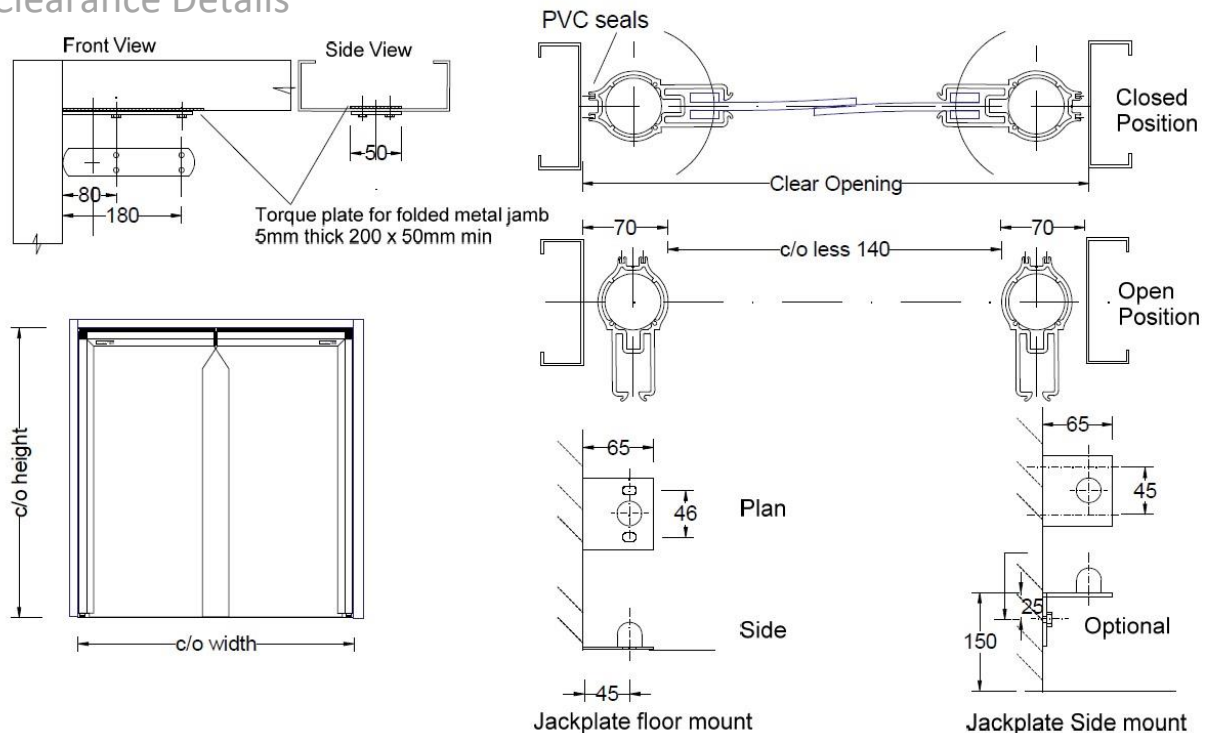
- ✓ Max Size: Up to 3.0m high x 3.0m wide
- ✓ 7mm clear PVC, standard temp or low temp
- ✓ Anodised Aluminium frame with 5mm wall thickness
- ✓ Twin Brush or PVC seals on door frame to help control Environment
- ✓ 100mm Overlap in middle on paired doors
- ✓ Silent operation with 180-degree swing
- ✓ Adjustable bottom floor mounted pivot (can be mounted 450mm above floor)
- ✓ Concealed adjustable torque spring in top corners
- ✓ Magnetic hold open option
- ✓ Buffed PVC/Kick bands and buffer options



A Quality Product From -



Clearance Details



Need more information? Contact us today – NZ 0800-144-999, AU 1800-144-888 or visit www.tru-bilt.co.nz





Need more information? Contact us today – NZ 0800-144-999, AU 1800-144-888 or visit www.tru-bilt.co.nz



tru-doorTM
ACCESS INNOVATIONS