

TRU-THERM

INDUSTRIAL SECTIONAL DOOR

ENQUIRY FORM

Download form to PC before editing

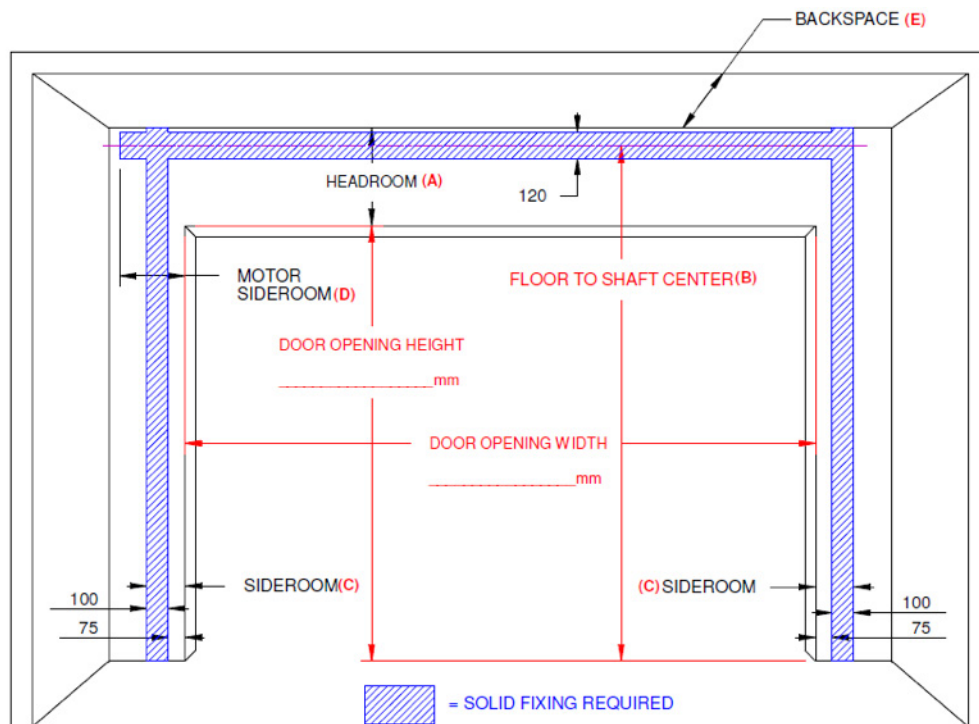
Site Details

Company Name:		Date:
Delivery Address:		
Customer Reference/Order Number:		
Contact Name:	Phone:	
Site Photos Provided: Yes <input type="checkbox"/> No <input type="checkbox"/>	Completed By:	

Door Requirement (see TRU-THERM Data Sheet for full specification details)

- On the drawing below, enter the door opening measurements (height and width), as well as the headroom and sideroom measurements. Enter the backspace depth if applicable.**

(NB: Recommended maximum door size: 5000mmH x 5600mmW. Minimum sideroom on motor side 300mm, on non-motor side 175mm. See Track Configuration table overleaf for details on minimum headroom and backspace).



- Quantity** of doors required at this size and specification:

Continued over page...

3) **Operating Environment:** Temperature: °C
 Wind speed: km/h Pressure: Bar

4) **Wall Construction:**
 Thickness: mm

5) **Door Panel options:**

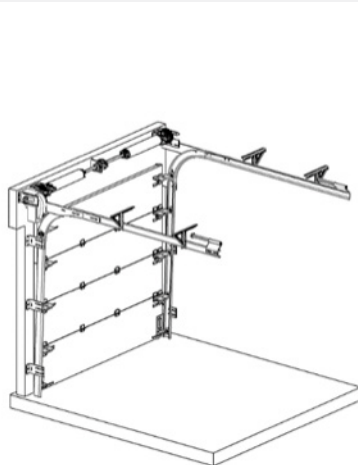
- TRU-THERM™ Panels*, (panels are 500mmH), Quantity per Door:
- TRU-THERM™ Vision Panels 135mmH x 540mmW, Qty:
- Optional TRU-VIEW™ fully glazed panels can be installed full-width at any position on the door. See our TRU-VIEW™ data sheet for more information. Quantity, if required
- Special colour required:
*NB: TRU-THERM doors are white as standard.
 Options are available in 5 Colorsteel colours: Gull Grey, Sandstone Grey, Desert Sand, Cloud and Titania.
 Also available in RAL3001 Signal Red

6) **Door Automation options:** (NB: Hand chain or motor must be chosen)

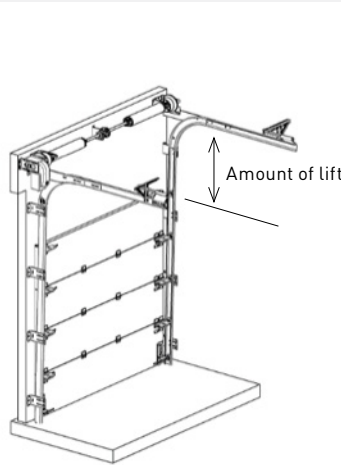
- Manual Hand Chain
 OR;
- Motorised. Type of motor: DOD14-PS DD1 DO IT MS110
 Which side? LH RH (Door mounting side)

Track Configuration

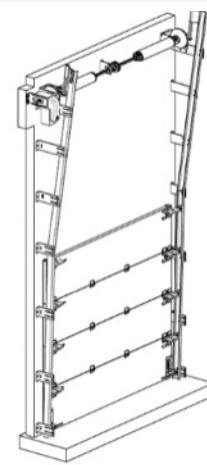
Track Option	Cable Drum	Min Headroom A	Amount of Lift (top of opening to under horizontal tracks)	Floor to Shaft Centre B	Side Room C	Motor Side Room D	Back Space E
<input type="checkbox"/> Standard Lift	400-12 SL 5250-18 SL	450mm Actual	230mm	DOH + 370mm Actual	175mm Actual	300mm Actual	DOH + 450mm Actual
<input type="checkbox"/> High Lift	5250-54 HL	up to 1625mm Actual	A -250mm Actual	DOH + LIFT + 140mm Actual	175mm Actual	300mm Actual	DOH - LIFT + 670mm Actual
<input type="checkbox"/> Vertical Lift	850-11 VL 1100-18 VL	DOH + 200mm Actual	N/A	DOH x 2 Actual	175mm Actual	300mm Actual	up to 600mm



STANDARD LIFT



HIGH LIFT



VERTICAL LIFT

Continued over page...

