

TRU-THERM™ Insulated Sectional Doors

Description

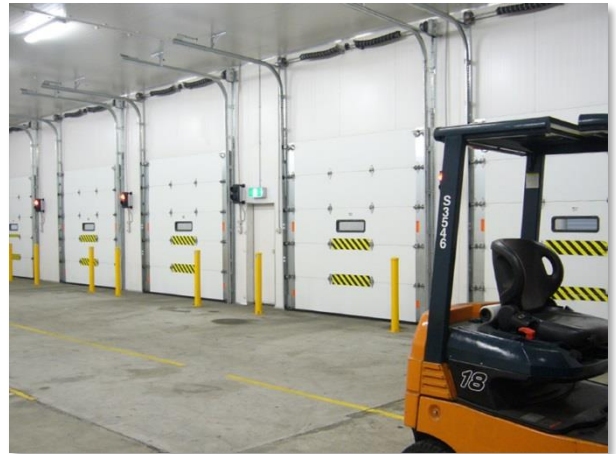
TRU-THERM™ Insulated Sectional Overhead Door

Webpage

<http://www.tru-bilt.co.nz/tru-door/#tru-therm>

Product Information

Designed specifically for the food-distribution industry, TRU-THERM™ doors are created to be the strongest and most reliable insulated sectional doors on the market. TRU-THERM™ doors are easy to use and cost effective, weather-tight, air-tight and completely vermin-proof, **TRU-THERM™** units are ruggedly constructed and come in a wide range of configurations and sizes to suit all conditions. High insulation ratings are guaranteed by standard 50mm overlaps, giving a very effective seal when closed, while galvanised tracks and hinges make TRU-THERM™ doors extremely corrosion resistant. TRU-THERM™ doors can be fitted with a variety of motor options and automation accessories, as well as TRU-BILT's double seal system for use as ripening room doors.



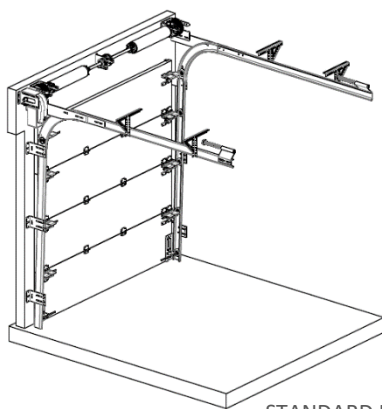
Technical Specification

- ✓ Max Size: 5000mmH x 5600mmW
- ✓ Heavy duty 75mm Wheels and 80mm Galvanised Tracks
- ✓ 40mm polyurethane thermally broken panels
- ✓ Vermin proof sealing system for increased bio-security
- ✓ Fire resistance rating: DIN4102 Class B2
- ✓ Wind resistance rating: EN12424 Class 2
- ✓ Insulation rating: U = 0.38 Wt/mC
- ✓ Acoustic insulation decibel rating: 24dB
- ✓ Door colour white as standard; alternative options available in 5 Colorsteel colors: Gull Grey, Sandstone Grey, Desert Sand, Cloud, and Titania: <https://www.colorsteel.co.nz/colours/#colour-palette> - Also available in RAL 3001 Signal Red.
- ✓ Optional double-glazed vision panels
- ✓ Optional TRU-VIEW™ fully glazed panels at any position on the door

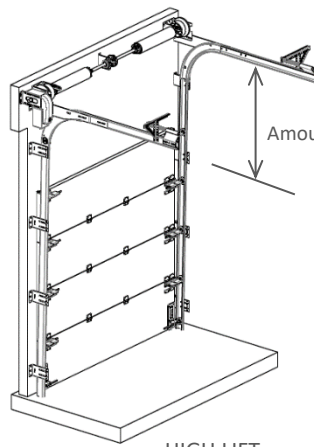
Clearance Details

See specific Track Configuration drawings for full clearance details.

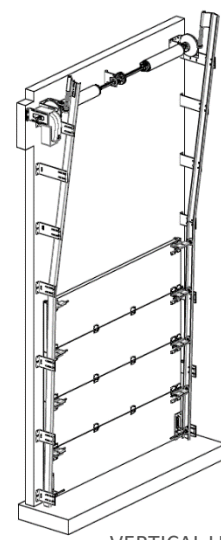
	Standard Lift	High Lift	Vertical Lift
Headroom	450mm	Amount of Lift + 250mm	DOH + 200mm
Sideroom	175mm (300mm for motor)	175mm (300mm for motor)	175mm (300mm for motor)



STANDARD LIFT



HIGH LIFT

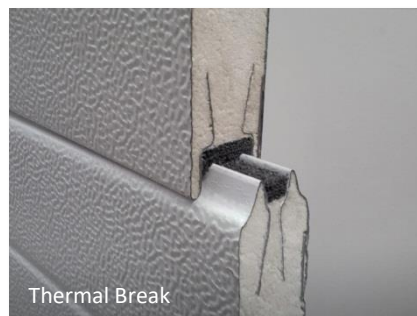
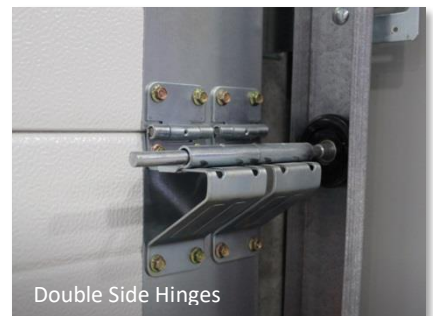
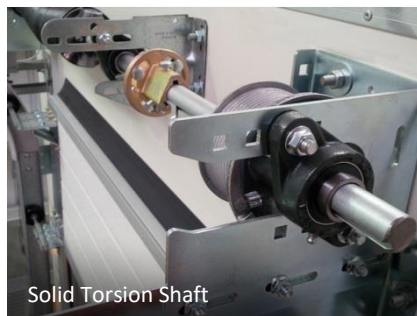
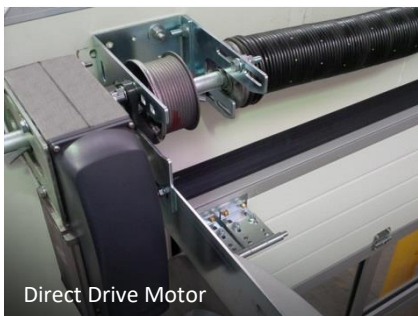
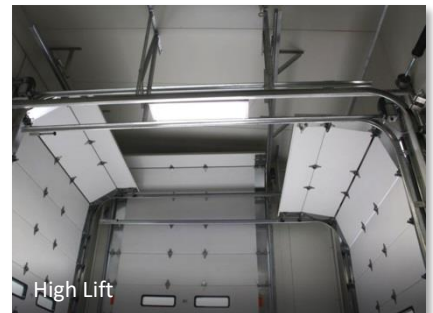
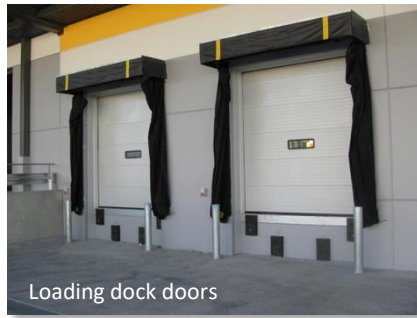


VERTICAL LIFT

Need more information? Contact us today – NZ 0800-144-999, AU 1800-144-888 or visit www.tru-bilt.co.nz



TRU-THERM™ Projects by TRU-BILT Industries Ltd



Need more information? Contact us today – NZ 0800-144-999, AU 1800-144-888 or visit www.tru-bilt.co.nz

