

TRU-VIEW™ Aluminium Sectional Doors

Description

TRU-VIEW™ Aluminium Sectional Overhead Door

Webpage

<http://www.tru-bilt.co.nz/tru-door/#tru-view>

Product Information

TRU-VIEW™ provides a modular sectional door system easily customized for a range of conditions. Offering architectural styling with a variety of panelling options (including double glazing), TRU-VIEW™ is a highly versatile door system. Constructed from hard-wearing anodised aluminium and fitted with heavy-duty rubber seals, TRU-VIEW™ looks great and performs in even the most extreme conditions. Running on heavy-duty 80mm tracks and double side hinges, the TRU-VIEW™ system and can be motorised or hand-chain driven. Other accessories can be added including radio remotes, radar activation, magnetic loop detectors and safety photo beams.



Technical Specification

- ✓ Max Size: 5000mmH x 5600mmW*
- ✓ Heavy duty 75mm Wheels and 80mm Galvanised Tracks.
- ✓ Anodised Aluminium Framed Window Panels.
- ✓ Full range of panel infill options including double glazing and coloured ACM board.
- ✓ Vermin proof sealing system for increased bio-security.
- ✓ Optional TRU-THERM™ Insulated Panels at any position on the door.

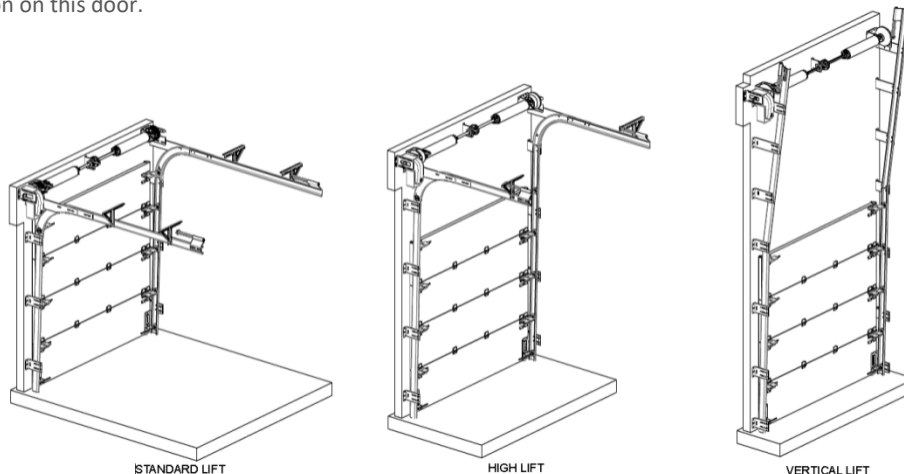
IL4 Earthquake & Wind load rated

On the 29th of August 2014, the TRU-VIEW™ Aluminum Sectional Door was approved for use in IL4 (Importance Level 4) rated buildings. Fire, police and ambulance stations and other emergency vehicle garages are included in the IL4 category. The TRU-VIEW™ Door, now being IL4 rated, is the ideal choice when you need your door to continue to give you the service you require in the toughest conditions. Earthquakes, hurricanes and other natural disasters are unpredictable, so be prepared and only specify a TRU-VIEW™ IL4 Rated Door. *Maximum width for IL4 rating is 4.25m



Drawings

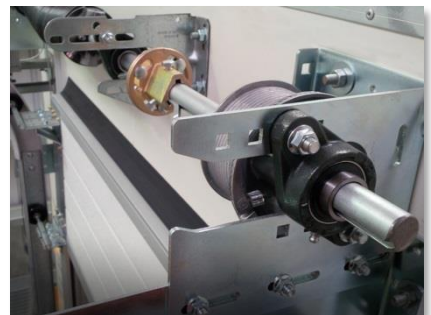
The following drawings show the three different track configurations available for TRU-VIEW™ Sectional Doors. Please Contact us for a full range of information on this door.



Need more information? Contact us today – NZ 0800-144-999, AU 1800-144-888 or visit www.tru-bilt.co.nz



TRU-VIEW™ Projects by TRU-BILT Industries Ltd



Need more information? Contact us today – NZ 0800-144-999, AU 1800-144-888 or visit www.tru-bilt.co.nz



tru-door™
ACCESS INNOVATIONS